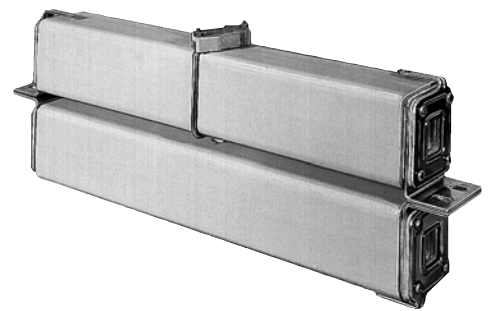
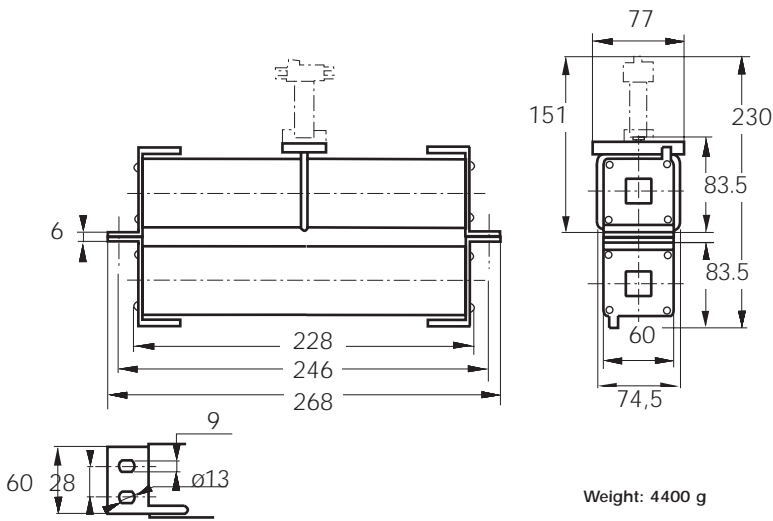




Dimensions



Main Characteristics



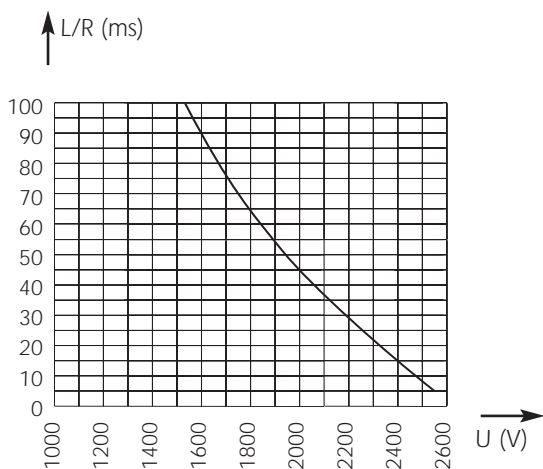
Protistor DC fuses

DC Square-body Fuses Sizes 300 - 302 - 2x302 SR size 2x302 - 2400V DC

SRD - SRF from 400 to 800 A

Electrical characteristics

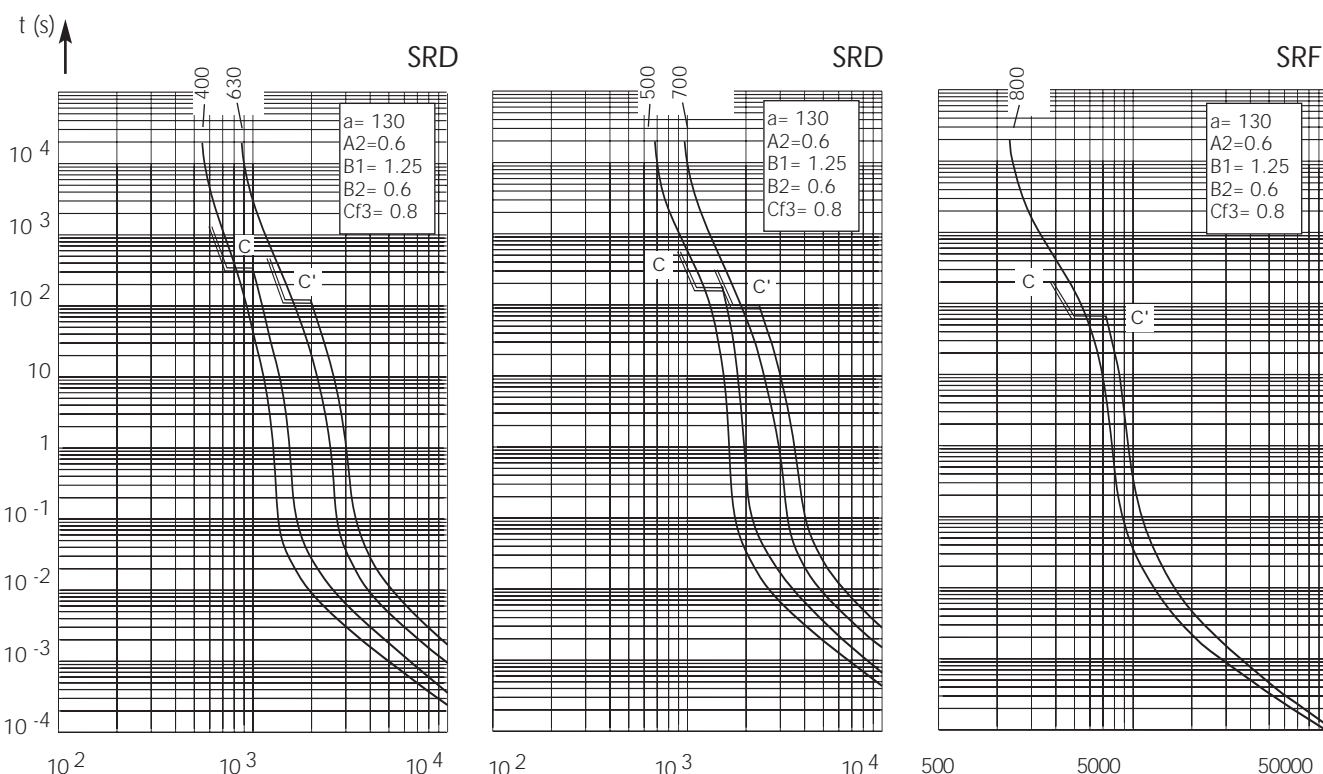
DC applications data



Above: Curve indicates maximum permissible value of time constant L/R as a function of DC working voltage

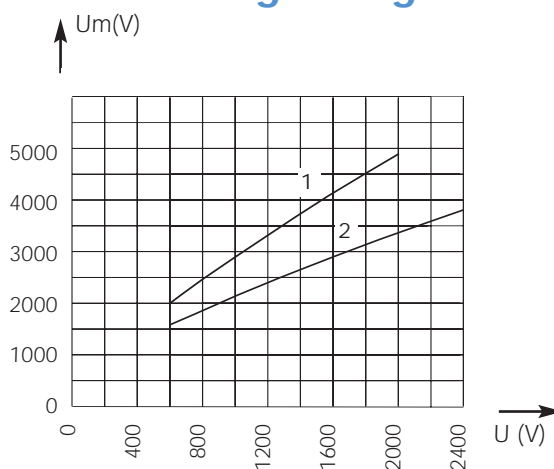
Max. AC voltage (50/60 Hz):
 2000 V with breaking capacity of 80 kA

Time vs. current characteristics



Above: Curves indicate, for each rated current, pre-arcing time vs. R.M.S. pre-arcing current.

Peak arc voltage vs. working voltage



1 : $L/R = 45$ ms
 2 : $L/R = 15$ ms

Above: Curves indicate for various time constants L/R the peak arc voltage which may appear across fuse terminals, vs. DC working voltage